

Tipo	bar	De	H	A	B	C	E	F	Øf	Ø1	a	b	c	d	v	s
------	-----	----	---	---	---	---	---	---	----	----	---	---	---	---	---	---

ISPEL

3000	7,84	1250	2935	800	1000	200	2000	195	1170	16	2"	2"	3/4"	3/8"	1 1/4"	1 1/4"
4000	7,84	1450	3025	800	1000	215	2000	185	1350	16	3"	3"	3/4"	3/8"	1 1/4"	1 1/4"
5000	7,84	1450	3525	800	1500	215	2500	185	1350	16	3"	3"	3/4"	3/8"	1 1/4"	1 1/4"
6000	7,84	1450	4025	800	2170	250	3000	185	1350	16	3"	3"	3/4"	3/8"	1 1/4"	1 1/4"
8000	7,84	1650	4125	1000	2355	280	3000	185	1550	16	4"	4"	3/4"	3/8"	1 1/4"	1 1/4"
10000	7,84	1650	5125	1000	3300	300	4000	185	1550	16	4"	4"	3/4"	3/8"	1 1/4"	1 1/4"

CE 87/404

200	11	430	1587	390	960	100	1100	200	460	13	3/4"	3/4"	3/8"	1/4"	2"	2"
270	11	500	1675	440	995	120	1150	200	530	13	3/4"	3/4"	3/8"	1/4"	2"	2"
500	11	600	2085	708	1000	200	1500	200	635	13	1 1/2"	1 1/2"	3/4"	3/8"	2"	2"
725	10,8	800	1875	700	750	200	1150	200	835	13	1 1/2"	1 1/2"	3/4"	3/8"	2"	2"
800	9,81	800	1975	700	850	200	1250	200	835	13	2"	2"	3/4"	3/8"	1 1/4"	1 1/4"
900	11	800	2225	700	1000	200	1500	200	835	13	2"	2"	3/4"	3/8"	1 1/4"	1 1/4"

ISPEL

1000	11,76	800	2345	700	1000	200	1650	200	735	16	2"	2"	3/4"	3/8"	1 1/4"	1 1/4"
1500	11,76	950	2425	700	1000	200	1650	200	870	16	2"	2"	3/4"	3/8"	1 1/4"	1 1/4"
2000	11,76	1000	2805	700	1000	200	2000	200	920	16	2"	2"	3/4"	3/8"	1 1/4"	1 1/4"
3000	11,76	1200	2975	800	1000	210	2000	200	1120	16	3"	3"	3/4"	3/8"	1 1/4"	1 1/4"
4000	11,76	1450	3025	800	1000	250	2000	185	1350	16	3"	3"	3/4"	3/8"	1 1/4"	1 1/4"
4000VL	11,76	1200	3975	800	2500	200	3000	200	1120	16	3"	3"	3/4"	3/8"	1 1/4"	1 1/4"
5000	11,76	1450	3225	800	1500	250	2500	185	1350	16	3"	3"	3/4"	3/8"	1 1/4"	1 1/4"
5000VL	11,76	1200	4975	800	3000	200	4000	200	1120	16	3"	3"	3/4"	3/8"	1 1/4"	1 1/4"
6000	11,76	1450	4025	800	2170	250	3000	185	1350	16	3"	3"	3/4"	3/8"	1 1/4"	1 1/4"
8000	11,76	1650	4125	1000	2355	280	3000	185	1550	16	4"	4"	3/4"	3/8"	1 1/4"	1 1/4"
10000	11,76	1650	5125	1000	3300	300	4000	185	1550	16	4"	4"	3/4"	3/8"	1 1/4"	1 1/4"



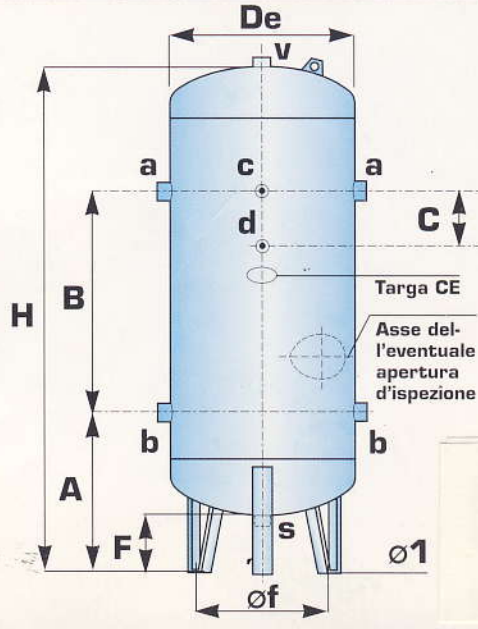
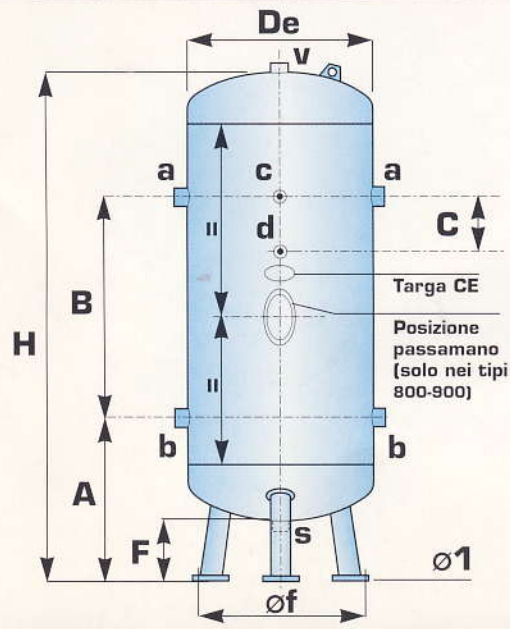
ISPEL



CE 87/404

CE 87/404

ISPEL



- a** = Utilizzo
- b** = Alimentazione d'aria
- c - d** = Attacchi di servizio
- v** = Valvola di sicurezza
- s** = Scarico

Apertura di ispezione su richiesta:  
 Passa mano 100 x 50  
 da Lt. 500 : 10.000  
 Passo d'uomo 300 x 400  
 da Lt. 1.000 : 10.000

**H.P.C. S.r.l.**